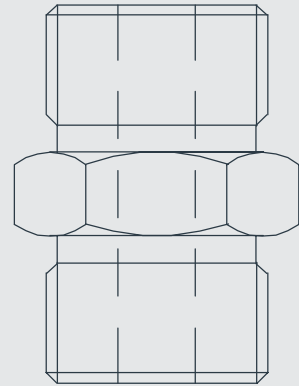
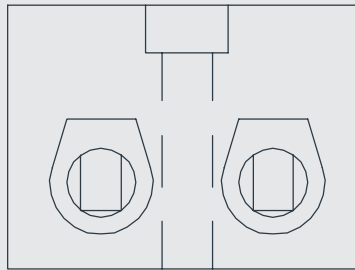
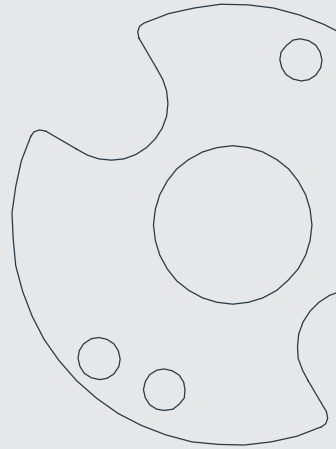
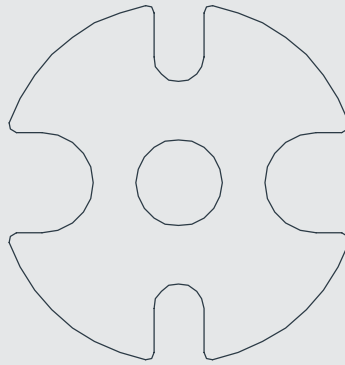
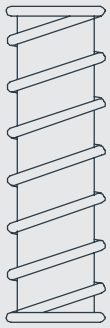


# ACCESSORIES

## THERMOMETRICAL LINE



components for industry

# DIN A - fixing accessories

<b>46</b>			
<b>DESCRIPTION</b>	<b>GASKET</b>	<b>GASKET</b>	<b>SCREW M4X20</b>
<b>MATERIAL</b>	celflex	neoprene	zinc-plated iron
<b>ARTICLE NR.</b>	<b>109318A</b>	<b>109306A</b>	<b>509077A</b>
<b>COMPATIBLE WITH</b>	TBA100, TBA200, TBA300	TBA400	TBA100, TBA200, TBA300, TBA400

# DIN B - fixing accessories

<b>33</b>					
<b>DESCRIPTION</b>	<b>GASKET</b>	<b>GASKET</b>	<b>GASKET</b>	<b>GASKET</b>	<b>SCREW M4X20</b>
<b>MATERIAL</b>	silicone	neoprene	celflex	celflex	zinc-plated iron
<b>ARTICLE NR.</b>	<b>109326A</b>	<b>109301A</b>	<b>109301B</b>	<b>109327A</b>	<b>509077A</b>
<b>COMPATIBLE WITH</b>	all DIN B blocks except TBB100, TBB300, TBB400, TBB700	all DIN B blocks except TBB100, TBB300, TBB400, TBB700	all DIN B blocks except TBB100, TBB300, TBB400, TBB700	TBB100-D0X, TBB300-H02	TBB100, TBB200, TBB300, TBB400

\*all dimensions are indicated in mm

# DIN B - spring-loaded disc not assembled

COMPONENTS FOR INDUSTRY  
THERMOMETRICAL LINE



<b>33</b>		
<b>a</b>	<b>b</b>	
<b>DESCRIPTION</b>	<b>DISC W/O TUBE</b>	
<b>MATERIAL</b>	stainless steel	
<b>CENTRAL HOLE Ø</b>	<b>ARTICLE NR.</b>	<b>COMPATIBLE WITH</b>
no hole	<b>109305A</b>	<b>a</b> TBB500, TBB550, TBB950
3.1	<b>109305B</b>	
6.1	<b>109305D</b>	
8.1	<b>109305E</b>	
10.1	<b>109305F</b>	
7.1	<b>109305M</b>	
6.5	<b>109305N</b>	
6.1**	<b>109365A</b>	<b>b</b> TBB850

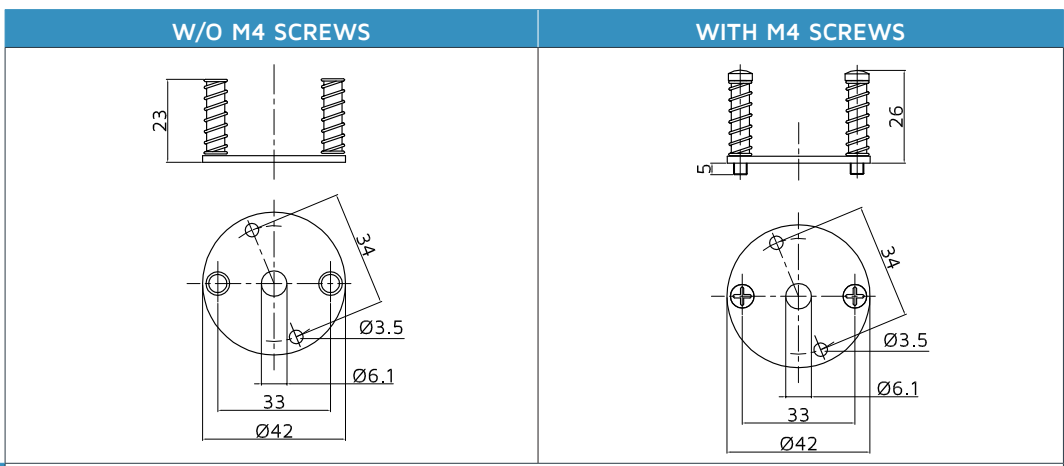
<b>a</b>	<b>b</b>		
<b>DESCRIPTION</b>	<b>DISC WITH TUBE</b>		
<b>MATERIAL</b>	stainless steel		
<b>CENTRAL HOLE Ø</b>	<b>ARTICLE NR.</b>	<b>COMPATIBLE WITH</b>	
D=8 d=3.1 (reduction)	<b>109337B</b>	<b>a</b> TBB500, TBB550, TBB950	
D=8 d=4.5 (reduction)	<b>109337C</b>		
D=8 d=6.1	<b>109337D</b>		
D=10 d=8.1	<b>109337E</b>		
D=8 d=6.1	<b>109337F</b>		
		<b>b</b> TBB850	

<b>DESCRIPTION</b>	<b>EYEBOLT</b>	<b>RIVET</b>	<b>SPRING</b>	<b>M4 SCREW</b>
<b>MATERIAL</b>	nickel-plated brass	nickel-plated brass	stainless steel	stainless steel
<b>ARTICLE NR.</b>	<b>109309A</b>	<b>109310A</b>	<b>109311A</b>	<b>109314A</b>
<b>COMPATIBLE WITH</b>	spring-loaded disc	TBB500, TBB550, TBB950 fixing to disc	spring-loaded disc	spring-loaded disc

\*all dimensions are indicated in mm  
\*\*other on request

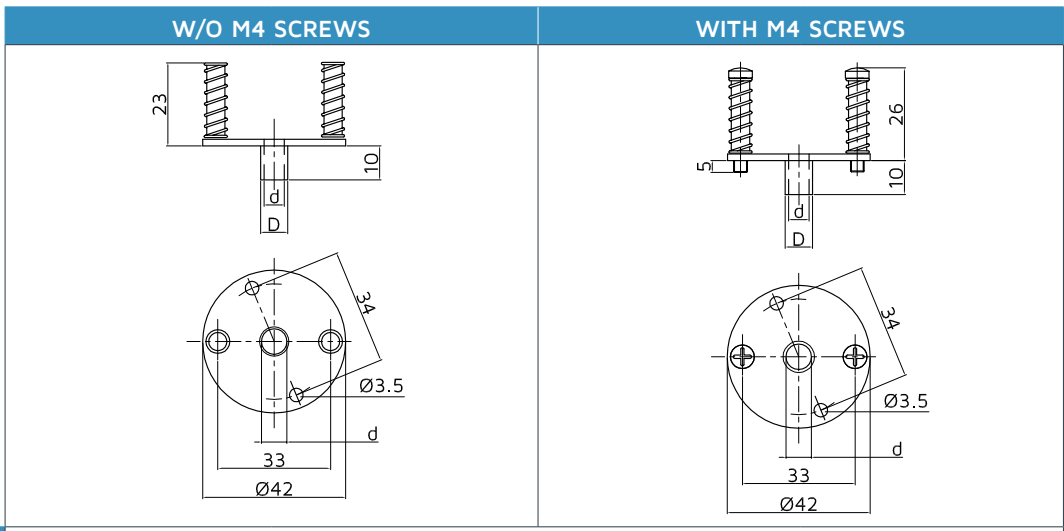
# DIN B - spring-loaded disc assembled

33



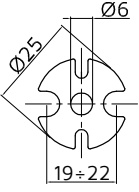
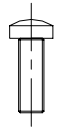
DESCRIPTION	SPRING-LOADED DISC WITHOUT TUBE	
CENTRAL HOLE Ø	6.1	6.1
ARTICLE NR.	<b>DBM-01</b>	<b>DBM-09</b>
COMPATIBLE WITH	TBB500, TBB550, TBB950	TBB500, TBB550, TBB950

33

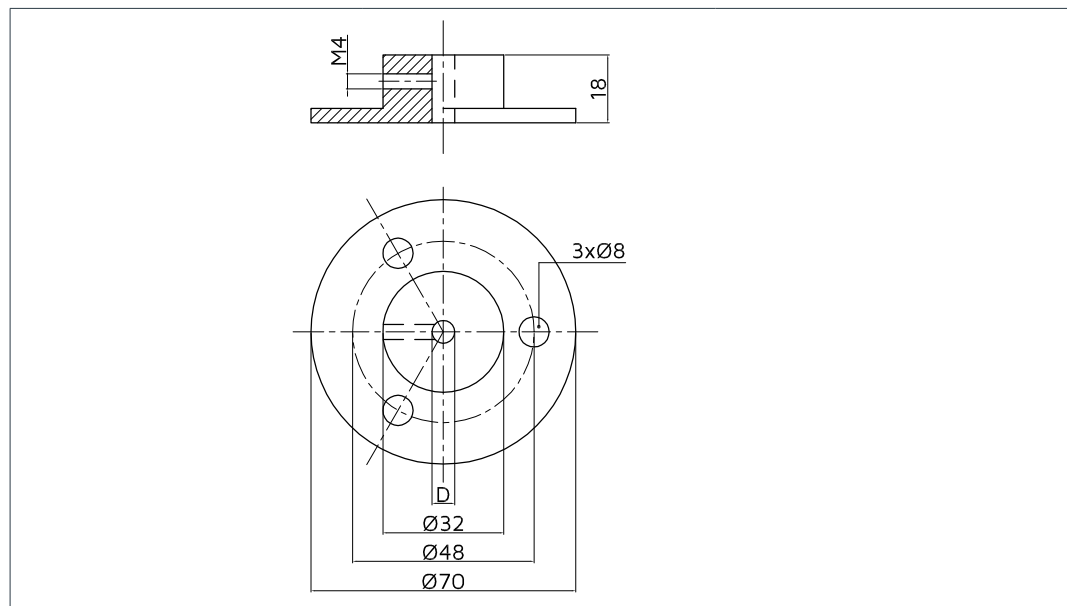


DESCRIPTION	SPRING-LOADED DISC WITH TUBE			
CENTRAL HOLE Ø	D=8 d=6.1	D=10 d=8.1	D=8 d=6.1	D=10 d=8.1
ARTICLE NR.	<b>DBM-11</b>	<b>DBM-13</b>	<b>DBM-10</b>	<b>DBM-12</b>
COMPATIBLE WITH	TBB500, TBB550, TBB950		TBB500, TBB550, TBB950	

\*all dimensions are indicated in mm

<div style="display: flex; flex-direction: column; align-items: center;"> <div style="background-color: #808080; color: white; border-radius: 50%; width: 20px; height: 20px; display: flex; align-items: center; justify-content: center; margin-bottom: 5px;">22</div> <div style="background-color: #FFD700; color: black; border-radius: 50%; width: 20px; height: 20px; display: flex; align-items: center; justify-content: center; margin-bottom: 5px;">20</div> <div style="background-color: #4682B4; color: white; border-radius: 50%; width: 20px; height: 20px; display: flex; align-items: center; justify-content: center;">19</div> </div>				
	<b>DESCRIPTION</b>	<b>GASKET</b>	<b>GASKET</b>	<b>SCREW M3X10</b>
<b>MATERIAL</b>	neoprene	celflex	zinc-plated iron	zinc-plated iron
<b>ARTICLE NR.</b>	<b>109303A</b>	<b>109303B</b>	<b>509047A</b>	<b>509051A</b>
<b>COMPATIBLE WITH</b>	TBM100-IO, TBM100-IA		TBM100-IO, TBM100-IA	

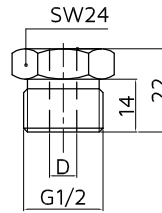
## ALUMINIUM FLANGE



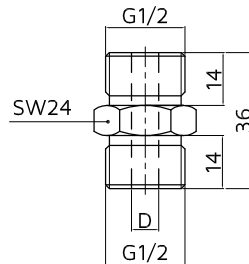
<b>DESCRIPTION</b>	<b>FLANGE</b>		
<b>MATERIAL</b>	aluminium	aluminium	aluminium
<b>CENTRAL HOLE Ø</b>	6.2	8.2	10.2
<b>ARTICLE NR.</b>	<b>104501A</b>	<b>104501B</b>	<b>104501C</b>

\*all dimensions are indicated in mm

# CAPS AND NIPPLES



DESCRIPTION	CAP					
MATERIAL	stainless steel	stainless steel	stainless steel	stainless steel	stainless steel	stainless steel
CENTRAL HOLE Ø	D=3.1	D=6.1	D=8.1	D=10.1	D=12.1	D=14.1
ARTICLE NR.	<b>104001B</b>	<b>104001C</b>	<b>104001D</b>	<b>104001E</b>	<b>104001F</b>	<b>104001G</b>



DESCRIPTION	NIPPLE					
MATERIAL	stainless steel	stainless steel	stainless steel	stainless steel	stainless steel	stainless steel
CENTRAL HOLE Ø	w/o hole	D=3.1	D=6.1	D=8.1	D=10.1	D=14.1
ARTICLE NR.	<b>104101A</b>	<b>104101B</b>	<b>104101C</b>	<b>104101D</b>	<b>104101E</b>	<b>104101G</b>

OTHER THREADS AND DIMENSIONS ON REQUEST  
 \*all dimensions are indicated in mm

# TERMINAL CONNECTORS

COMPONENTS FOR INDUSTRY  
THERMOMETRICAL LINE

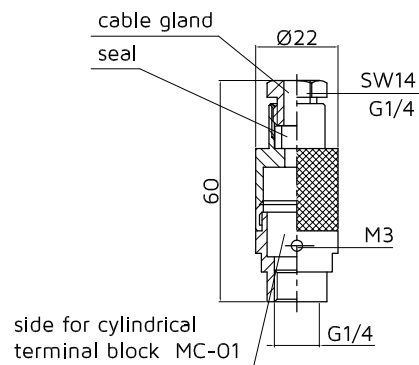


<b>PRODUCT DESCRIPTION</b>	steatite two-poles terminal connector 15 AMP	steatite two-poles terminal connector 30 AMP	steatite three-poles terminal connector 20 AMP
<b>ARTICLE NR.</b>	<b>TMK200-A0B0</b>	<b>TMK200-C1D0</b>	<b>TMK300-B0A0</b>

\*all dimensions are indicated in mm

# CYLINDRICAL - Serie TMC-01

## connection head



### MATERIAL OF BASE

**Body**  
Nickel-plated brass  
**Cable gland seal**  
• Dutral  
**Cable gland**  
• Nickel-plated brass

### TEMPERATURE RANGE

-20°C/+110°C

### DIMENSIONAL CHARACTERISTICS

Max. Space inside:  $\varnothing 15 \times 20 \text{mm}$

### WEIGHT

0,065 Kg

### THREADS

Cable entry thread: G $\frac{1}{4}$   
Process entry thread: G $\frac{1}{4}$

# CYLINDRICAL - Type MC-01

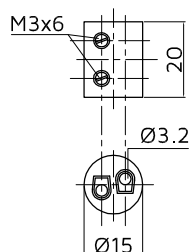
## terminal block

### MATERIAL OF BASE

Steatite

### MATERIAL OF TERMINALS

Nickel-plated brass





# CERAMIC TUBES

COMPONENTS FOR INDUSTRY  
THERMOMETRICAL LINE



## MATERIAL

C110. Other dimensions and materials on request  
Tolerances acc. DIN 40680 GM

## FOUR HOLES

LENGHT	CODE	EXTERNAL Ø in mm	HOLE Ø in mm
50	5933/2	5.5	1.2
	5957	6	1.8
	5939/2	8	2
	5941	8	2,5
	5935/1	10	3
	5932/2	12	3
	5932/1	12	3,5
100	5931/2	14	4
	5933/3	5.5	1.2
	5957/1	6	1.8
	5939/3	8	2
	5941/1	8	2,5
	5935	10	3
	5932/3	12	3
	5932	12	3,5
	5931/3	14	4



## OVAL

LENGHT	CODE	EXTERNAL Ø in mm	HOLE Ø in mm
25	5927/2	12x8	4
50	5927/1	12x8	4
100	5927	12x8	4



## ONE HOLE

LENGHT	CODE	EXTERNAL Ø in mm	HOLE Ø in mm
50	5964/2	6	4
	5965	8	5
	5974	10	4,5
	5972/2	10	5
	5902	12	5,5
	5971/2	18	8
100	5964/3	6	4
	5965/1	8	5
	5981	10	4
	5976/1	10	6,5



## TWO HOLES

LENGHT	CODE	EXTERNAL Ø in mm	HOLE Ø in mm	
50	5948/1	4.5	1.5	
	5933	5.5	1.8	
	5925	6	2	
	5939	8	2	
	5940	8	2,5	
	5928	8	3	
	5906/1	8,5	3	
	5926	10	3	
	5926/2	10	3,5	
	5962	12	4	
	100	5933/1	5.5	1.8
		5925/1	6	2
5939/1		8	2	
5940/1		8	2,5	
5928/1		8	3	
5926/1		10	3	
5926/3		10	3,5	
5962/1		12	4	



